

Large Load Frame



Applications

- **Tubular Products**
 - Tubing & Casing Threaded Connections
 - Composite Materials
 - Pipeline Connectors
 - Drill Pipe Threaded Connections
- **Marine Equipment**
 - Umbilicals / Flexible Pipe
 - Anchor Chains & Weak Links
 - Shackles
 - Riser Joints
- **Hoisting Equipment**
 - Casing & Drill Pipe Elevators
 - Drilling Swivels & Links
 - Spiders
- **Plain End Forgings**
- **Load Cell Calibration**
- **Ring Collapse Tests**
- **Downhole Equipment**

Specifications

Maximum Load Capacity with 36" Travel

Tension = 3,000,000 lbs.

Compression = 2,250,000 lbs.

Maximum Load Capacity with 60" Travel

Tension = 2,000,000 lbs.

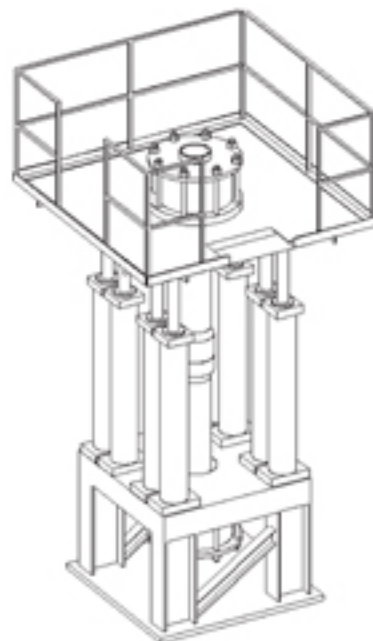
Compression = 1,500,000 lbs.

Simultaneous Bending Loads and External Pressure

Simultaneous Specimen Pressure up to 30,000 psi

Data Acquisition System with 150 Channels

Frame Load Calibration Traceable to the National
Institute of Standards and Testing



We Provide Solutions!