



Large Pressure Vessel



Specifications

Working Pressure = 5,900 psi

Maximum Test Specimen Size = 41 1/2" OD X 22' Long

Electrical and Hydraulic Penetrations

Modifications Available for Cooling Test Fluids

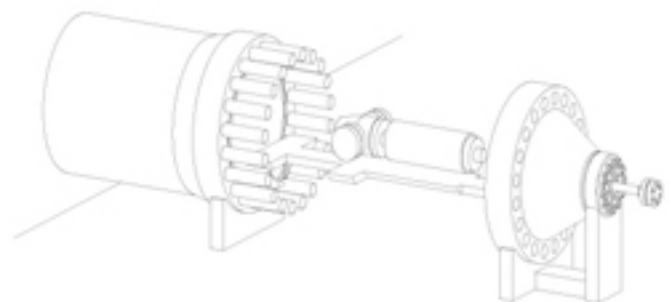
Wet and Dry Strain Gaging

Computerized Control and Data Acquisition Unit

Videotaping of the Test in Progress for Nonshock Load Activities

Applications

- **Pressure Testing...**
Subsea Valves
Actuators
Chokes
Wellheads and more!
- **Large Diameter Pipe Collapse Samples**
- **Umbilical Cables, Connectors and Wires**
- **Subsea Control Pods**



We Provide Solutions!